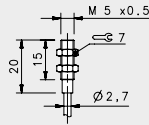


# NAMUR M5



## NAMUR

FLUSH

cable

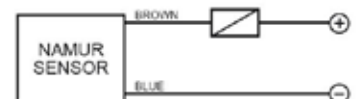
### NOMINAL SWITCHING DISTANCE

0,8 mm

Nominal Voltage	PNP/NPN	NO-NC	Wires	order No.	
10-30 Vdc	PNP	NO-NC	4 wires	order No.	---
10-30 Vdc	PNP	NO	3 wires	order No.	---
10-30 Vdc	PNP	NC	3 wires	order No.	---
10-30 Vdc	NPN	NO	3 wires	order No.	---
10-30 Vdc	NPN	NC	3 wires	order No.	---
10-30 Vdc	PNP	NO-NC	4 wires	order No.	---
10-30 Vdc	NPN	NO-NC	4 wires	order No.	---
10-30 Vdc	NO-NC		2 wires	order No.	---
20-250 Vac/Vdc	NO		2 wires	order No.	---
20-250 Vac/Vdc	NC		2 wires	order No.	---
20-250 Vac	NO		2/3wires	order No.	---
10-30 Vdc	Analog	0-20 mA	3 wires	order No.	---
NAMUR amplifier	NAMUR		2 wires	order No.	IS-05-A20-03 95B065410

Nominal Voltage	6+ 12 V DC
Residual Ripple	---
Hysteresis	< 10%
Max. Output Current	< 3 mA (metal absent)
Min. Output Current	< 1 mA (metal present)
Residual Current	---
Voltage Drop	---
Operation Led	---
Switching Frequency	2000 Hz
Start Up Delay	< 10 ms
Repeatability	---
Short Circuit Protection	Present (self-resetting)
Electric Protection	Against polarity reversal inductive loads
Temperature Limit	(-25 ... +70 °C)
Protection Degree	IP67
Cable Length	2 m (PVC)
Cable Section	2x 0,15 mm <sup>2</sup>
Housing Material	Stainless-Steel
Active face	LCP
Tightening torque	1,5Nm
Weight - Cable Output	25g
Weight - Connector Output	---

### 2 wires NAMUR



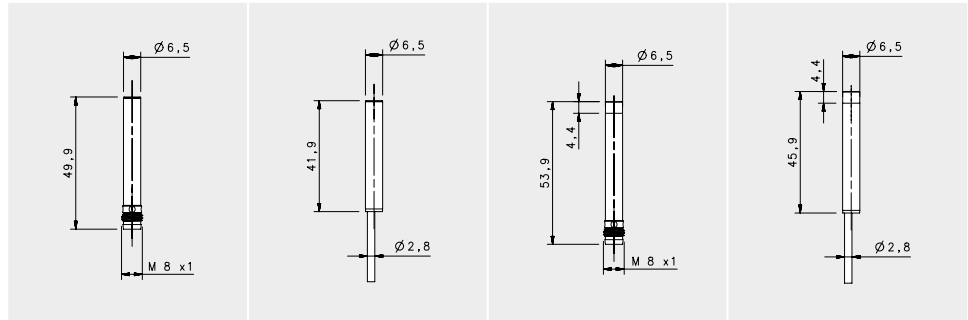
### M8 2 wires NAMUR



CONTACTS CONFIGURATION

Available	Contacts numbers		
	1	3	4
NAMUR	+	-	

# NAMUR M6,5



## NAMUR

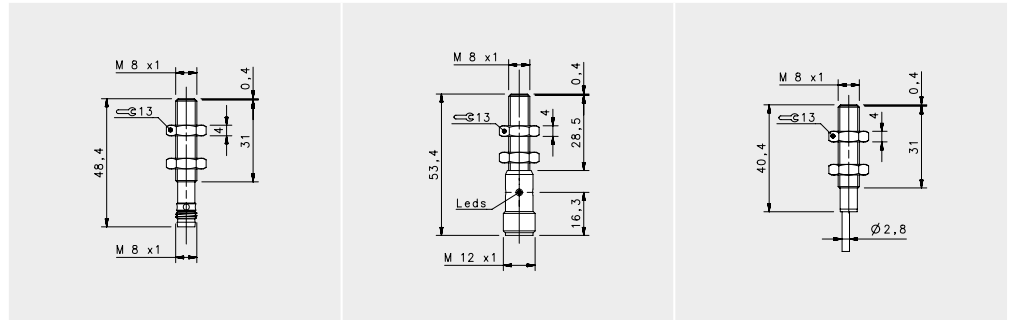
		FLUSH		NON FLUSH	
		M8 conn	cable	M8 conn	cable

### NOMINAL SWITCHING DISTANCE

		FLUSH		NON FLUSH	
		M8 conn	cable	M8 conn	cable
		1 mm	1 mm	2 mm	2 mm
10-30 Vdc	PNP/NPN NO-NC	4 wires	order No.	---	---
10-30 Vdc	PNP NO	3 wires	order No.	---	---
10-30 Vdc	PNP NC	3 wires	order No.	---	---
10-30 Vdc	NPN NO	3 wires	order No.	---	---
10-30 Vdc	NPN NC	3 wires	order No.	---	---
10-30 Vdc	PNP NO-NC	4 wires	order No.	---	---
10-30 Vdc	NPN NO-NC	4 wires	order No.	---	---
10-30 Vdc	NO-NC	2 wires	order No.	---	---
20-250 Vac/Vdc	NO	2 wires	order No.	---	---
20-250 Vac/Vdc	NC	2 wires	order No.	---	---
20-250 Vac	NO	2/3 wires	order No.	---	---
10-30 Vdc	Analog 0-20 mA	3 wires	order No.	---	---
NAMUR amplifier	NAMUR	2 wires	order No.	IS-65-A20-S1 95B066310	IS-65-A20-03 95B066290
				IS-65-C20-S1 95B066320	IS-65-C20-03 95B066300

Nominal Voltage	7,7 +9 V DC	7,7 +9 V DC	7,7 +9 V DC	7,7 +9 V DC
Residual Ripple	< 10%	< 10%	< 10%	< 10%
Hysteresis	< 10%	< 10%	< 10%	< 10%
Max. Output Current	< 3 mA (metal absent)	< 3 mA (metal absent)	< 3 mA (metal absent)	< 3 mA (metal absent)
Min. Output Current	< 1 mA (metal present)	< 1 mA (metal present)	< 1 mA (metal present)	< 1 mA (metal present)
Residual Current	---	---	---	---
Voltage Drop	---	---	---	---
Operation Led	---	---	---	---
Switching Frequency	2000 Hz	2000 Hz	2000 Hz	2000 Hz
Start Up Delay	---	---	---	---
Repeatability	< 3%	< 3%	< 3%	< 3%
Short Circuit Protection	Present (self-resetting)	Present (self-resetting)	Present (self-resetting)	Present (self-resetting)
Electric Protection	Against polarity reversal inductive loads	Against polarity reversal inductive loads	Against polarity reversal inductive loads	Against polarity reversal inductive loads
Temperature Limit	(-25 ... +60 °C)	(-25 ... +60 °C)	(-25 ... +60 °C)	(-25 ... +60 °C)
Protection Degree	IP67	IP67	IP67	IP67
Cable Length	---	2 m	---	2 m
Cable Section	---	2x 0,25 mm <sup>2</sup>	---	2 x 0,25 mm <sup>2</sup>
Housing Material	Nickel-plated brass	Nickel-plated brass	Nickel-plated brass	Nickel-plated brass
Active face	LCP	LCP	LCP	LCP
Weight - Cable Output	---	80 g	---	80 g
Weight - Connector Output	40 g	---	40 g	---

# NAMUR M8

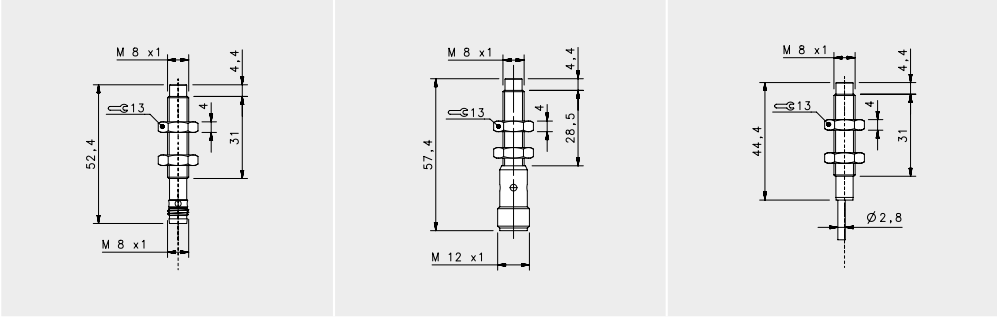


## NAMUR

### FLUSH

NOMINAL SWITCHING DISTANCE				M8 conn	M12 conn	cable
				1 mm	1 mm	1 mm
10-30 Vdc	PNP/NPN NO-NC	4 wires	order No.	---	---	---
10-30 Vdc	PNP NO	3 wires	order No.	---	---	---
10-30 Vdc	PNP NC	3 wires	order No.	---	---	---
10-30 Vdc	NPN NO	3 wires	order No.	---	---	---
10-30 Vdc	NPN NC	3 wires	order No.	---	---	---
10-30 Vdc	PNP NO-NC	4 wires	order No.	---	---	---
10-30 Vdc	NPN NO-NC	4 wires	order No.	---	---	---
10-30 Vdc	NO-NC	2 wires	order No.	---	---	---
20-250 Vac/Vdc	NO	2 wires	order No.	---	---	---
20-250 Vac/Vdc	NC	2 wires	order No.	---	---	---
20-250 Vac	NO	2/3wires	order No.	---	---	---
10-30 Vdc	Analog 0-20 mA	3 wires	order No.	---	---	---
NAMUR amplifier	NAMUR	2 wires	order No.	IS-08-A20-S1 95B066780	IS-08-A20-S2 95B066760	S-08-A20-03 95B066740

Nominal Voltage	7,7 + 9 V DC	7,7 + 9 V DC	7,7 + 9 V DC
Residual Ripple	< 10%	< 10%	< 10%
Hysteresis	< 10%	< 10%	< 10%
Max. Output Current	< 3 mA (metal absent)	< 3 mA (metal absent)	< 3 mA (metal absent)
Min. Output Current	< 1 mA (metal present)	< 1 mA (metal present)	< 1 mA (metal present)
Residual Current	---	---	---
Voltage Drop	---	---	---
Operation Led	---	---	---
Switching Frequency	2000 Hz	2000 Hz	2000 Hz
Start Up Delay	---	---	---
Repeatability	< 3%	< 3%	< 3%
Short Circuit Protection	Present (self-resetting)	Present (self-resetting)	Present (self-resetting)
Electric Protection	Against polarity reversal inductive loads	Against polarity reversal inductive loads	Against polarity reversal inductive loads
Temperature Limit	(-25 ... +60 °C)	(-25 ... +60 °C)	(-25 ... +60 °C)
Protection Degree	IP67	IP67	IP67
Cable Length	---	---	2 m
Cable Section	---	---	2x 0,25 mm <sup>2</sup>
Housing Material	Nickel-plated brass	Nickel-plated brass	Nickel-plated brass
Active face	LCP	LCP	LCP
Tightening torque	* see page 5 of the Inductive Sensors Catalog		
Weight - Cable Output	---	---	80 g
Weight - Connector Output	35g	55g	---



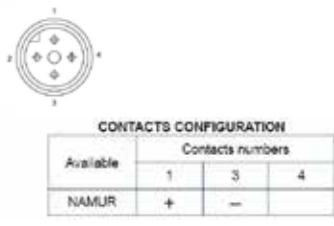
**NAMUR**  
**NON FLUSH**

M8 conn <b>2 mm</b>	M12 conn <b>2 mm</b>	cable <b>2 mm</b>
---	---	---
---	---	---
---	---	---
---	---	---
---	---	---
---	---	---
---	---	---
---	---	---
---	---	---
---	---	---
---	---	---
---	---	---
---	---	---
---	---	---
---	---	---
---	---	---
---	---	---
---	---	---
---	---	---
IS-08-C20-S1 95B066790	IS-08-C20-S2 95B066770	IS-08-C20-O3 95B066750
7,7+9 V DC < 10% < 10% < 3 mA (metal absent) < 1 mA (metal present) ---	7,7+9 V DC < 10% < 10% < 3 mA (metal absent) < 1 mA (metal present) ---	7,7+9 V DC < 10% < 10% < 3 mA (metal absent) < 1 mA (metal present) ---
---	---	---
---	---	---
2000 Hz ---	2000 Hz ---	2000 Hz ---
< 3% Present (self-resetting) Against polarity reversal inductive loads (-25 ... +60 °C) IP67 ---	< 3% Present (self-resetting) Against polarity reversal inductive loads (-25 ... +60 °C) IP67 ---	< 3% Present (self-resetting) Against polarity reversal inductive loads (-25 ... +60 °C) IP67 2 m 2 x 0,25 mm <sup>2</sup> ---
Nickel-plated brass LCP	Nickel-plated brass LCP	Nickel-plated brass LCP
* see page 5 of the Inductive Sensors Catalog	* see page 5 of the Inductive Sensors Catalog	* see page 5 of the Inductive Sensors Catalog
35g	55g	80 g ---

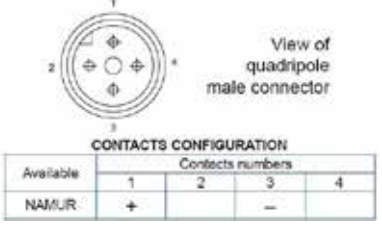
2 wires NAMUR



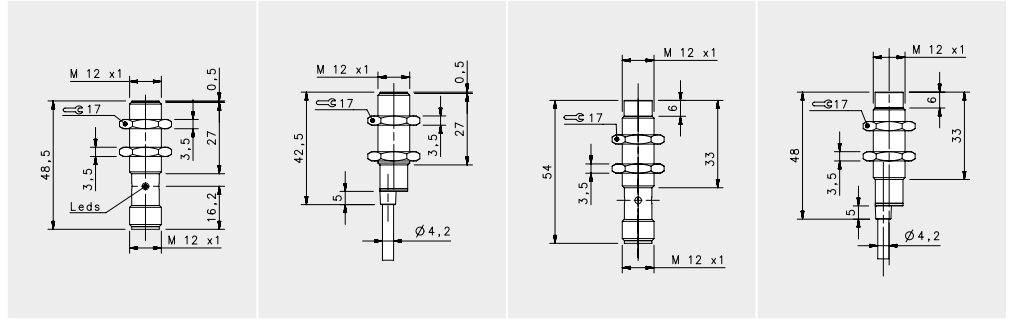
M8 2 wires NAMUR



M12 2 wires NAMUR



# NAMUR M12

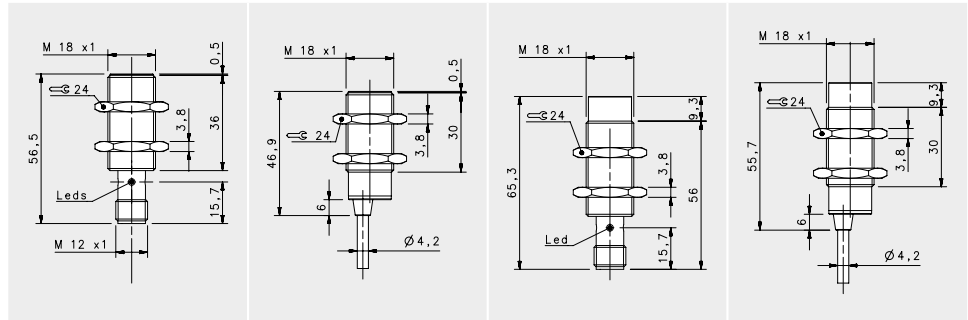


## NAMUR

				FLUSH		NON FLUSH	
				M12 conn	cable	M12 conn	cable
				2 mm	2 mm	4mm	4mm
NOMINAL SWITCHING DISTANCE							
10-30 Vdc	PNP/NPN NO-NC	4 wires	order No.	---	---	---	---
10-30 Vdc	PNP NO	3 wires	order No.	---	---	---	---
10-30 Vdc	PNP NC	3 wires	order No.	---	---	---	---
10-30 Vdc	NPN NO	3 wires	order No.	---	---	---	---
10-30 Vdc	NPN NC	3 wires	order No.	---	---	---	---
10-30 Vdc	PNP NO-NC	4 wires	order No.	---	---	---	---
10-30 Vdc	NPN NO-NC	4 wires	order No.	---	---	---	---
10-30 Vdc	NO-NC	2 wires	order No.	---	---	---	---
20-250 Vac/Vdc	NO	2 wires	order No.	---	---	---	---
20-250 Vac/Vdc	NC	2 wires	order No.	---	---	---	---
20-250 Vac	NO	2/3wires	order No.	---	---	---	---
10-30 Vdc	Analog 0-20 mA	3 wires	order No.	---	---	---	---
NAMUR amplifier	NAMUR	2 wires	order No.	IS-12-A20-S2 95B064180	IS-12-A20-03 95B064160	IS-12-C20-S2 95B064190	IS-12-C20-03 95B064170

Nominal Voltage	7,7+9 V DC	7,7+9 V DC	7,7+9 V DC	7,7+9 V DC
Residual Ripple	< 10%	< 10%	< 10%	< 10%
Hysteresis	< 10%	< 10%	< 10%	< 10%
Max. Output Current	< 3 mA (metal absent)	< 3 mA (metal absent)	< 3 mA (metal absent)	< 3 mA (metal absent)
Min. Output Current	< 1 mA (metal present)	< 1 mA (metal present)	< 1 mA (metal present)	< 1 mA (metal present)
Residual Current	---	---	---	---
Voltage Drop	---	---	---	---
Operation Led	---	---	---	---
Switching Frequency	2000 Hz	2000 Hz	2000 Hz	2000 Hz
Start Up Delay	---	---	---	---
Repeatability	< 3%	< 3%	< 3%	< 3%
Short Circuit Protection	Present (self-resetting)	Present (self-resetting)	Present (self-resetting)	Present (self-resetting)
Electric Protection	Against polarity reversal inductive loads	Against polarity reversal inductive loads	Against polarity reversal inductive loads	Against polarity reversal inductive loads
Temperature Limit	(-25 ... +60 °C)	(-25 ... +60 °C)	(-25 ... +60 °C)	(-25 ... +60 °C)
Protection Degree	IP67	IP67	IP67	IP67
Cable Length	---	2 m	---	2 m
Cable Section	---	2 x 0,25 mm <sup>2</sup>	---	2 x 0,25 mm <sup>2</sup>
Housing Material	Nickel-plated brass	Nickel-plated brass	Nickel-plated brass	Nickel-plated brass
Active face	LCP	LCP	LCP	LCP
Tightening torque	* see page 5 of the Inductive Sensors Catalog	* see page 5 of the Inductive Sensors Catalog	* see page 5 of the Inductive Sensors Catalog	* see page 5 of the Inductive Sensors Catalog
Weight - Cable Output	---	110 g	---	110 g
Weight - Connector Output	60 g	---	60 g	---

# NAMUR M18



## NAMUR

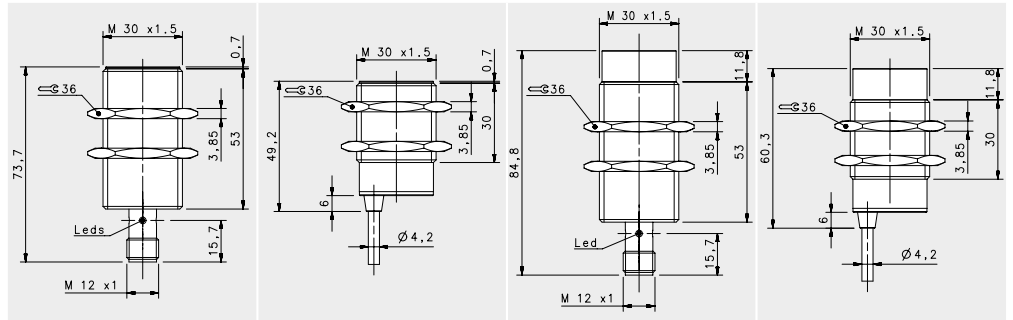
FLUSH		NON FLUSH	
	M12 conn	cable	M12 conn

### NOMINAL SWITCHING DISTANCE

				5mm	5mm	8mm	8mm
10-30 Vdc	PNP/NPN NO-NC	4 wires	order No.	---	---	---	---
10-30 Vdc	PNP NO	3 wires	order No.	---	---	---	---
10-30 Vdc	PNP NC	3 wires	order No.	---	---	---	---
10-30 Vdc	NPN NO	3 wires	order No.	---	---	---	---
10-30 Vdc	NPN NC	3 wires	order No.	---	---	---	---
10-30 Vdc	PNP NO-NC	4 wires	order No.	---	---	---	---
10-30 Vdc	NPN NO-NC	4 wires	order No.	---	---	---	---
10-30 Vdc	NO-NC	2 wires	order No.	---	---	---	---
20-250 Vac/Vdc	NO	2 wires	order No.	---	---	---	---
20-250 Vac/Vdc	NC	2 wires	order No.	---	---	---	---
20-250 Vac	NO	2/3 wires	order No.	---	---	---	---
10-30 Vdc	Analog 0-20 mA	3 wires	order No.	---	---	---	---
NAMUR amplifier	NAMUR	2 wires	order No.	IS-18-A20-S2 95B064380	IS-18-A20-03 95B064360	IS-18-C20-S2 95B064390	IS-18-C20-03 95B064370

Nominal Voltage	7,7 + 9 V DC	7,7 + 9 V DC	7,7 + 9 V DC	7,7 + 9 V DC
Residual Ripple	< 10%	< 10%	< 10%	< 10%
Hysteresis	< 10%	< 10%	< 10%	< 10%
Max. Output Current	< 3 mA (metal absent)	< 3 mA (metal absent)	< 3 mA (metal absent)	< 3 mA (metal absent)
Min. Output Current	< 1 mA (metal present)	< 1 mA (metal present)	< 1 mA (metal present)	< 1 mA (metal present)
Residual Current	---	---	---	---
Voltage Drop	---	---	---	---
Operation Led	---	---	---	---
Switching Frequency	1000 Hz	1000 Hz	1000 Hz	1000 Hz
Start Up Delay	---	---	---	---
Repeatability	< 3%	< 3%	< 3%	< 3%
Short Circuit Protection	Present (self-resetting)	Present (self-resetting)	Present (self-resetting)	Present (self-resetting)
Electric Protection	Against polarity reversal inductive loads	Against polarity reversal inductive loads	Against polarity reversal inductive loads	Against polarity reversal inductive loads
Temperature Limit	(-25 ... +60 °C)	(-25 ... +60 °C)	(-25 ... +60 °C)	(-25 ... +60 °C)
Protection Degree	IP67	IP67	IP67	IP67
Cable Length	---	2 m	---	2 m
Cable Section	---	2 x 0,25 mm <sup>2</sup>	---	2 x 0,25 mm <sup>2</sup>
Housing Material	Nickel-plated brass	Nickel-plated brass	Nickel-plated brass	Nickel-plated brass
Active face	LCP	LCP	LCP	LCP
Tightening torque	* see page 5 of the Inductive Sensors Catalog	* see page 5 of the Inductive Sensors Catalog	* see page 5 of the Inductive Sensors Catalog	* see page 5 of the Inductive Sensors Catalog
Weight - Cable Output	---	145g	---	145g
Weight - Connector Output	95g	---	95g	---

# NAMUR M30

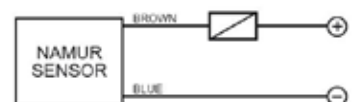


## NAMUR

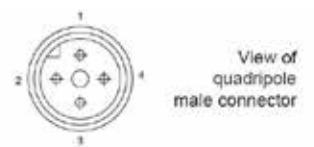
				FLUSH		NON FLUSH	
				M12 conn	cable	M12 conn	cable
NOMINAL SWITCHING DISTANCE				10mm	10mm	15mm	15mm
10-30 Vdc	PNP/NPN NO-NC	4 wires	order No.	---	---	---	---
10-30 Vdc	PNP NO	3 wires	order No.	---	---	---	---
10-30 Vdc	PNP NC	3 wires	order No.	---	---	---	---
10-30 Vdc	NPN NO	3 wires	order No.	---	---	---	---
10-30 Vdc	NPN NC	3 wires	order No.	---	---	---	---
10-30 Vdc	PNP NO-NC	4 wires	order No.	---	---	---	---
10-30 Vdc	NPN NO-NC	4 wires	order No.	---	---	---	---
10-30 Vdc	NO-NC	2 wires	order No.	---	---	---	---
20-250 Vac/Vdc	NO	2 wires	order No.	---	---	---	---
20-250 Vac/Vdc	NC	2 wires	order No.	---	---	---	---
20-250 Vac	NO	2/3wires	order No.	---	---	---	---
10-30 Vdc	Analog 0-20 mA	3 wires	order No.	---	---	---	---
NAMUR amplifier	NAMUR	2 wires	order No.	IS-30-A20-S2 95B064630	IS-30-A20-03 95B064610	IS-30-C20-S2 95B064640	IS-30-C20-03 95B064620

Nominal Voltage	7,7 + 9 V DC	7,7 + 9 V DC	7,7 + 9 V DC	7,7 + 9 V DC
Residual Ripple	< 10%	< 10%	< 10%	< 10%
Hysteresis	< 10%	< 10%	< 10%	< 10%
Max. Output Current	< 3 mA (metal absent)	< 3 mA (metal absent)	< 3 mA (metal absent)	< 3 mA (metal absent)
Min. Output Current	< 1 mA (metal present)	< 1 mA (metal present)	< 1 mA (metal present)	< 1 mA (metal present)
Residual Current	---	---	---	---
Voltage Drop	---	---	---	---
Operation Led	---	---	---	---
Switching Frequency	500 Hz	500 Hz	500 Hz	500 Hz
Start Up Delay	---	---	---	---
Repeatability	< 3%	< 3%	< 3%	< 3%
Short Circuit Protection	Present (self-resetting)	Present (self-resetting)	Present (self-resetting)	Present (self-resetting)
Electric Protection	Against polarity reversal inductive loads	Against polarity reversal inductive loads	Against polarity reversal inductive loads	Against polarity reversal inductive loads
Temperature Limit	(-25 ... +60 °C)	(-25 ... +60 °C)	(-25 ... +60 °C)	(-25 ... +60 °C)
Protection Degree	IP67	IP67	IP67	IP67
Cable Length	---	2 m	---	2 m
Cable Section	---	2 x 0,25 mm <sup>2</sup>	---	2 x 0,25 mm <sup>2</sup>
Housing Material	Nickel-plated brass	Nickel-plated brass	Nickel-plated brass	Nickel-plated brass
Active face	LCP	LCP	LCP	LCP
Tightening torque	* see page 5 of the Inductive Sensors Catalog	* see page 5 of the Inductive Sensors Catalog	* see page 5 of the Inductive Sensors Catalog	* see page 5 of the Inductive Sensors Catalog
Weight - Cable Output	---	210 g	---	210 g
Weight - Connector Output	170 g	---	170 g	---

## 2 wires NAMUR



## M12 2 wires NAMUR



View of quadripole male connector

CONTACTS CONFIGURATION

Available	Contacts numbers			
	1	2	3	4
NAMUR	+		-	